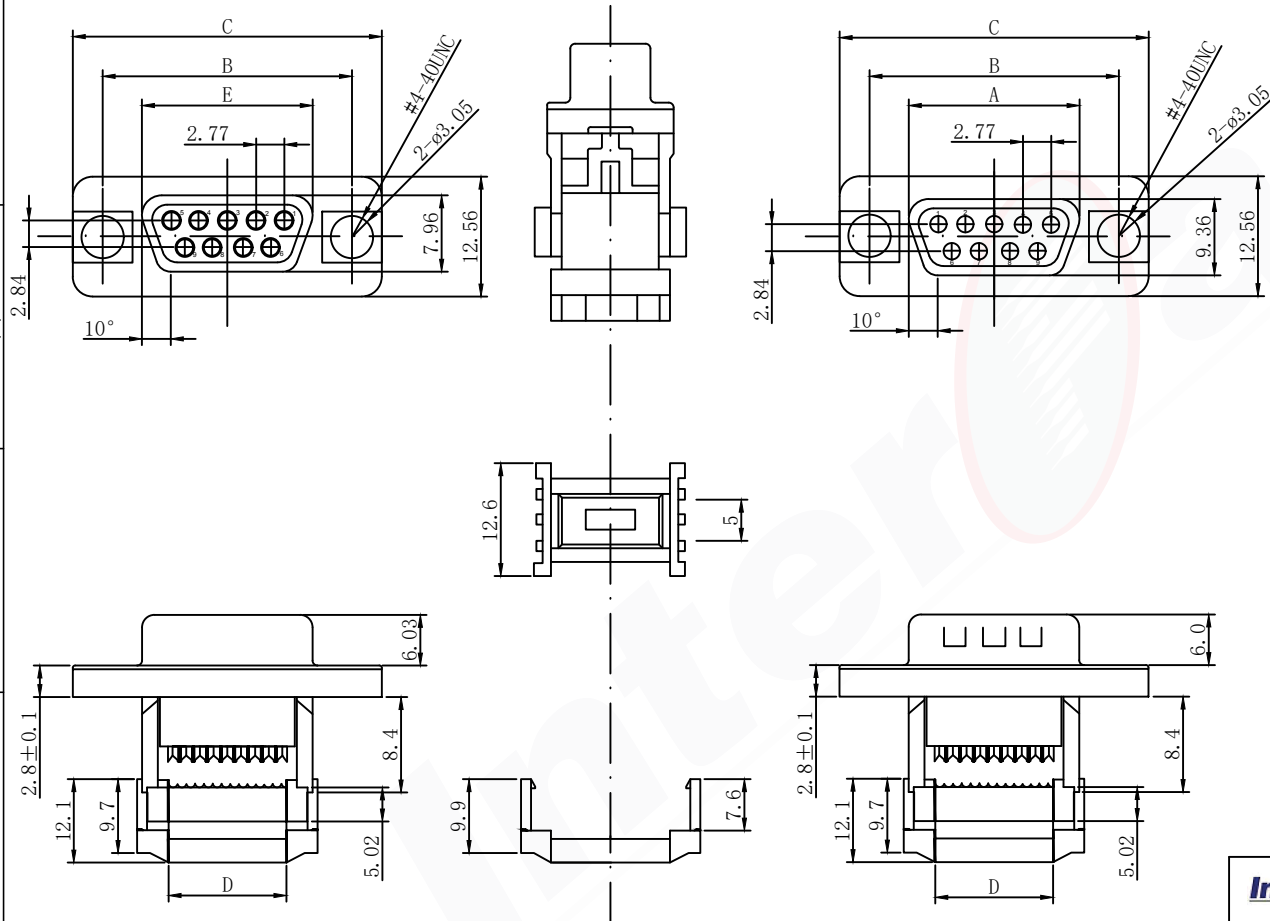


FEMALE

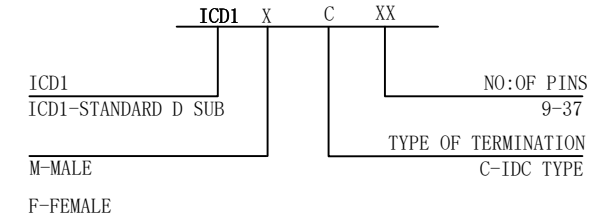
MALE



Specifications:

- Current Rating: 1A AC/DC
- Insulation Resistance (Min.): 1000MΩ
- Withstanding Voltage (Min): 500V AC
- Contact Resistance (Max.): 30MΩ max at DC 100 mA
- Operation Temperature: -55 °C to +105 °C
- Contact Plating: Male Brass or Female Phosphor Bronze
- Housing: PBT+30% Glass Fiber(UL94V-0)

Position	A	B	C	D	E
9	17.78	24.99	30.82	11.86	16.33
5	26.15	33.22	39.24	19.50	24.66
25	39.94	47.04	53.04	32.15	38.38
37	56.56	63.50	69.62	48.76	54.54



Interface INTERFACE CONNECTRONICS PVT LTD

Address:#85, Unit#3, 1st Floor, V.V. Yoga Saurabha, S. C. Road, Yeshwanthpur, Bangalore- 560 022.

Product Description	Interface® D-Sub 2.54mm IDC Flat Cable Type Male & Female					
Part no.	ICD1-MCXX	Version	A0	Proportion		
Customer Code	TBA	Customer Part No.	TBA	Unit	mm	
Tolerance	X. ±0.50, X. ± 0.38, XX ± 0.25, XXX ± 0.13			File No.	TBA	
Drawn By	NBC	Checked by	VN	Approved by	YRS	Date
						02/05/2023