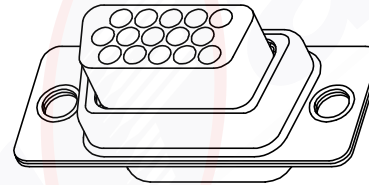
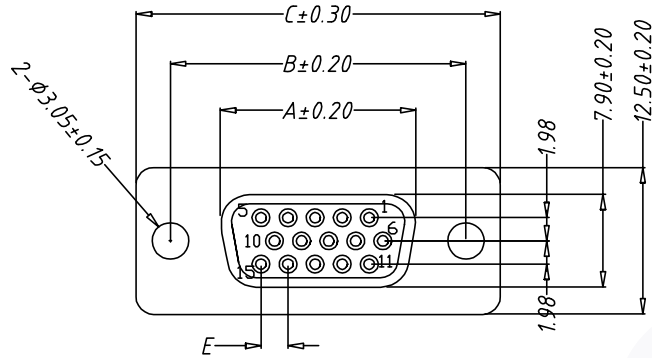


PART #	A	B	C	D	E
ICD2-FG15	16.35	25.00	30.80	19.20	2.29
ICD2-FG26	24.70	33.30	39.20	27.70	2.29
ICD2-FG44	38.40	47.04	53.05	41.10	2.29
ICD2-FG62	54.80	63.50	69.40	57.30	2.41



**Specification:**

Rated Current (MIN): 3A AC. 4 A DC.  
 Insulation Resistance (MIN): 500 MΩ  
 Rated Voltage (MIN): 500V AC  
 Contact Impedance (MAX): 30mΩ  
 Operating Temperature: -55°C to +105°C

**Material:**

Insulation: PBT + 30% Glass Fiber UL94v-0  
 Shell: Steel. t = 0.4mm

After riveting (without through hole)

After riveting (with through hole)

see table 2

see table 3

<b>Interface</b> INTERFACE CONNECTRONICS PVT LTD							
Address:#85, Unit#3, 1st Floor, V.V. Yoga Saurabha, S. C. Road, Yeshwanthpur, Bangalore- 560 022.							
Product Specification	HIGH DENSITY 15 PIN FEMALE CRIMP TYPE CNTR, BLACK						
Part no.	ICD2-FGXX	Version	A0	Proportion			
Customer Code		Customer Part No.		Unit	mm		
Tolerance	X. ±0.50, X. ± 0.38, .XX ± 0.25, .XXX ± 0.13			File No.			
Drawn By	SM	Checked by	RKS	Approved by	YRS	Date	12/3/2019