

PIN CONFIGURATION		
SIDE A	COLOUR	SIDE B
C#1	RED	D#1
C#2	BLACK	D#2
C#3	YELLOW/GREEN	D#3

**FINISHED GOODS(CA) PART NO: DESCRIPTION**

RCA-9XXX XX 01

TYPE OF CA      COLOR OF CA  
BLACK

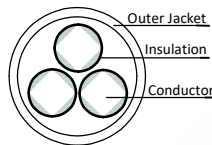
RCA-9105: C14 TO C13, WITH 0.50SQ.MM CABLE, RATED CURRENT:6A

RCA-9085: C14 TO C13, WITH 0.75SQ.MM CABLE, RATED CURRENT: 6A

RCA-9086: C14 TO C13, WITH 1SQ.MM CABLE, RATED CURRENT:10A

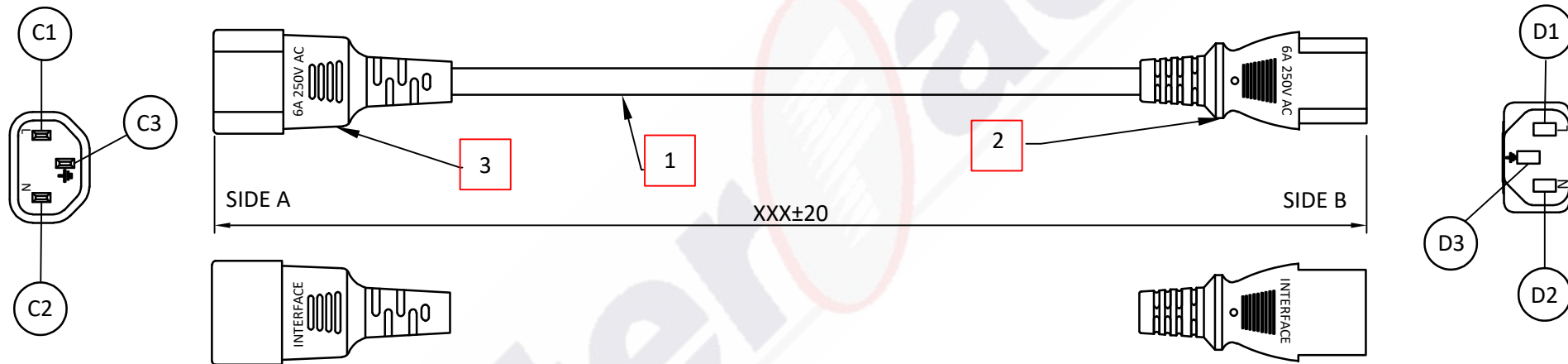
LENGTH OF CA  
0.1 TO XX MTRS

FOR EXAMPLE:  
PART NO: RCA-9085-1-01  
DISC: C14 TO C13, LENGTH: 1MTR WITH 0.75SQ.MM CABLE, RATED CURRENT: 6A



**CABLE CONSTRUCTION**

DESCRIPTION	PARAMETERS		
	0.50SQ.MM	0.75SQ.MM	1SQ.MM
No. of Strands	16	24	32
Conductor Diameter (max)	0.20 +/- 0.1mm	0.210mm	0.210mm
Conductor Resistance (max)	0.210mm	26.00Ω/Km	19.50Ω/Km
Core Colour	Red, Black, Yellow/Green	Red, Black and Yellow/Green	Red, Black and Yellow/Green
Insulation Material	PVC	PVC	PVC
Insulation OD (max)	2.20 +/- 0.1	2.80mm	3.00mm
Overall Diameter (max)	6.5 +/- 0.2	7.70mm	8.10mm
Outer Sheath Material	PVC	PVC	PVC
Insulation Resistance (min)	3.67 MΩ-Km @ 27°C	2.67 MΩ-Km @ 27°C	3.67 MΩ-Km @ 27°C
High Voltage Test (5 Minutes)	Withstand 3KV AC @ Room Temperature	Withstand 3KV AC @Room Temperature	Withstand 3KV AC @Room Temperature



SL NO	DESCRIPTION	QTY
1	3 CORE 0.50Sq.mm/0.75Sq.mm/1.0Sq.mm CABLE	1NOS
2	C13 CONNECTOR	1NOS
3	C14 CONNECTOR	1NOS

<p>Connectors to Connectivity® INTERFACE CONNECTRONICS PVT LTD</p>	Description	C14 TO C13			
	Drg No	A4-01-9XXX-XXX-01			
	ICPL Part NO:	RCA-9XXX-XX-01			
Address: B-260,Peenya 2nd stage,Peenya industrial area, Bangalore-560058.		Customer Part No	TBA	Rev	00
Drafted by	MC	Angle of projections	Third angle	Scale	1:1
Checked	RV	Date:	23-12-2023	Sheet	1 of 1
Approved	NC	All dimensions are in mm		Size:	A4
Tolerance :	<small>Unless otherwise specified for length</small> 0 - 500 - ±5      1000 - 1500 - ±15 500 - 1000 - ±10      1500 - 2000 - ±20				