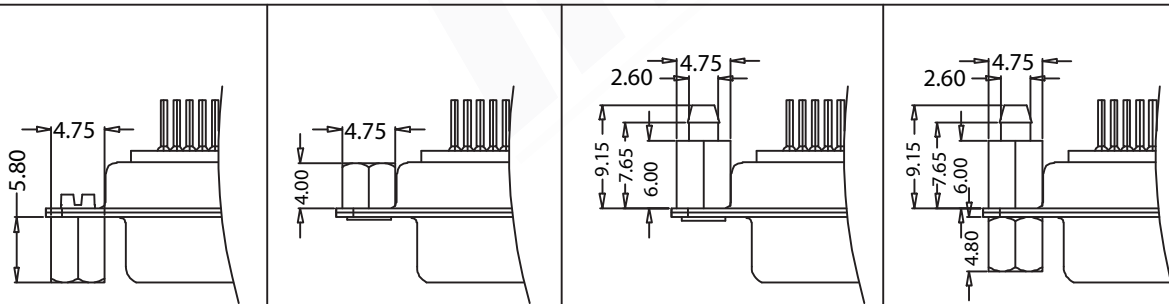
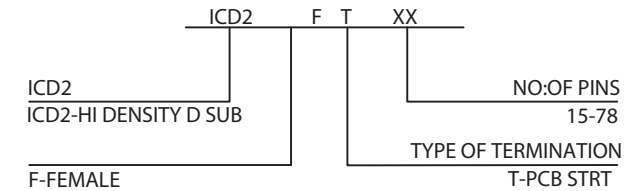


**Specification:**  
 Current Rating: 3A  
 Insulation Resistance (Min.): 500MΩ  
 Voltage Rating: 250V AC/DC  
 Contact Resistance (Max.): 30mΩ  
 Operation Temperature: -25 °C to +85 °C  
 Contact Material: Brass  
 Contact Plating: Gold Plating 0.8μ  
 Housing Material: SPCC Nickel Plating  
 Insulation Material: PBT (Black) (UL94V-0)

Position	A	B	C	D	E
15	16.35	25.00	30.80	19.20	2.29
26	24.70	33.30	39.20	27.70	2.29
44	38.40	47.04	53.05	41.10	2.29
62	54.80	63.50	69.40	57.30	2.41
78	52.20	60.50	67.00	55.00	2.20



**Interface** INTERFACE CONNECTRONICS PVT LTD  
 Address:#85, Unit#3, 1st Floor, V.V. Yoga Saurabha, S. C. Road, Yeshwanthpur, Bangalore- 560 022.

Product Description	D-Sub HD Female PCB Straight Solder Type Connector						
Part no.	ICD2-FTXX	Version	A0	Proportion			
Customer Code	TBA	Customer Part No.	TBA	Unit	mm		
Tolerance	X. ±0.50, X. ± 0.38, XX ± 0.25, .XXX ± 0.13			File No.	TBA		
Drawn By	NBC	Checked by	VN	Approved by	YRS	Date	26-07-2024