

Specification:

Electrical:

Contact Current Rating: 5 A

Dielectric Withstanding Voltage: AC 500 V

Mechanical:

Insulation Resistance:1000MEGΩ

Operating Voltage:500V

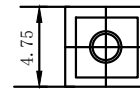
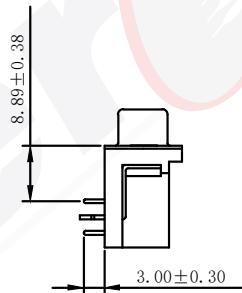
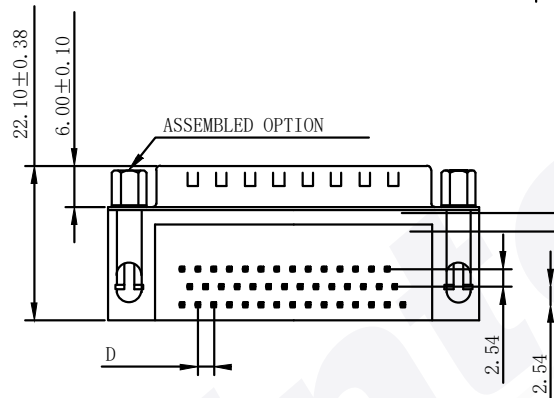
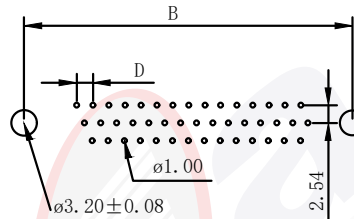
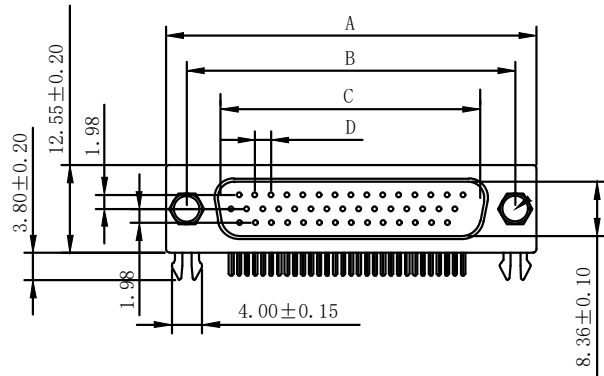
Operating Temperature:-55°C to +105°C

Material:

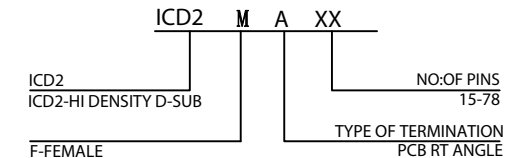
Housing:LCP Fiber UL 94V-0 Rated

Insulator Color:Back

Contact: Phospher Bronze or Tin Plated



NO.POS	A±0.30	B±0.13	C±0.20	D±0.10
15PIN	30.80	24.99	16.33	2.29
26PIN	39.20	33.32	24.66	2.29
44PIN	53.10	47.04	38.35	2.29
62PIN	69.40	63.50	54.80	2.41
78PIN	67.10	61.20	52.75	2.41



Interface INTERFACE CONNECTRONICS PVT LTD

Address:#85, Unit#3, 1st Floor, V.V. Yoga Saurabha, S. C. Road, Yeshwanthpur, Bangalore- 560 022.

Product Description	D Sub High Density Male Right Angle PCB Solder Type						
Part no.	ICD2-MAXX	Version	A0	Proportion			
Customer Code	NA	Customer Part No.	NA	Unit	mm		
Tolerance	X. ±0.50, X. ± 0.38, .XX ± 0.25, .XXX ± 0.13			File No.	NA		
Drawn By	SM	Checked by	RKS	Approved by	YRS	Date	26-07-2024