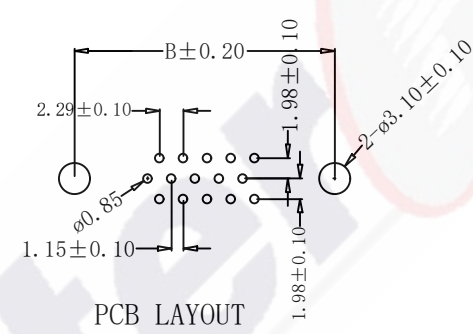
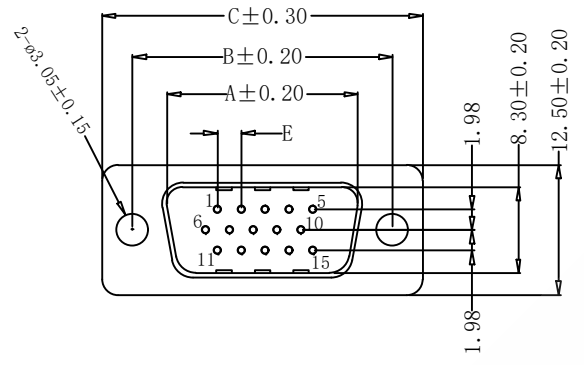


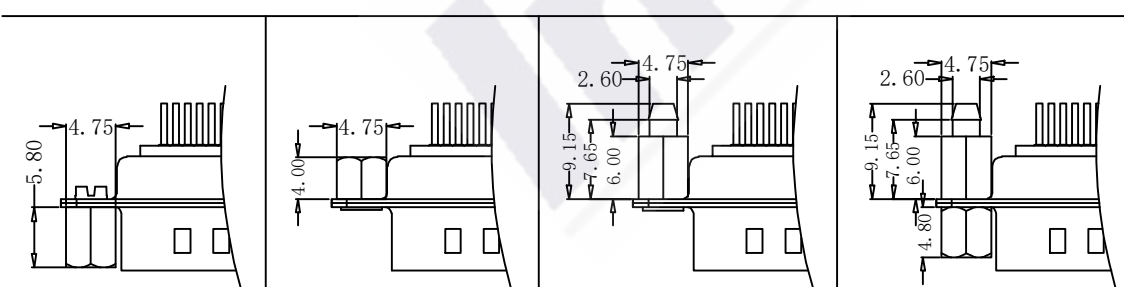
Position	A	B	C	D	E
15	16.92	25.00	30.80	19.20	2.29
26	25.25	33.30	39.20	27.70	2.29
44	38.96	47.04	53.05	41.10	2.29
62	55.42	63.50	69.40	57.30	2.41

ICD2 M T XX
 ICD2 HI DENSITY D SUB NO:OF PINS 15-62
 M-MALE TYPE OF TERMINATION T-PCB STRT

Description:
 Insulation Resistance (Min.): 500MΩ
 Current Rating (Min.): 3amp AC. 5amp DC
 Withstanding Voltage (Min): 500VAC
 Contact Resistance (Max.) 30mΩ
 Operating Temperature: -55° ~ +105°



Material:
 Contact: Brass, t=0.20mm
 Insulation: PBT+30% Glass Fiber UL94V-0
 Shell: Steel, t=0.4mm



Interface		INTERFACE CONNECTRONICS PVT LTD					
Address: #85, Unit#3, 1st Floor, V. V. Yoga Sauraba, S. C. Road, Yeshwanthpur, Bangalore-560022.							
Product Specification	D HIGH DENSITY MALE STRT PCB SOLDER TYPE CONNECTOR						
Part No	ICD2-MTXX	version	A0	proportion			
Customer code	NA	Customer Part No	NA	unit	mm		
Tolerance: .X=±0.25. XX=±0.10 angle =±1.5°				File No	NA		
Drawn by	NBC	Checked by	VN	Approve by	YRS	Date	26-07-2024