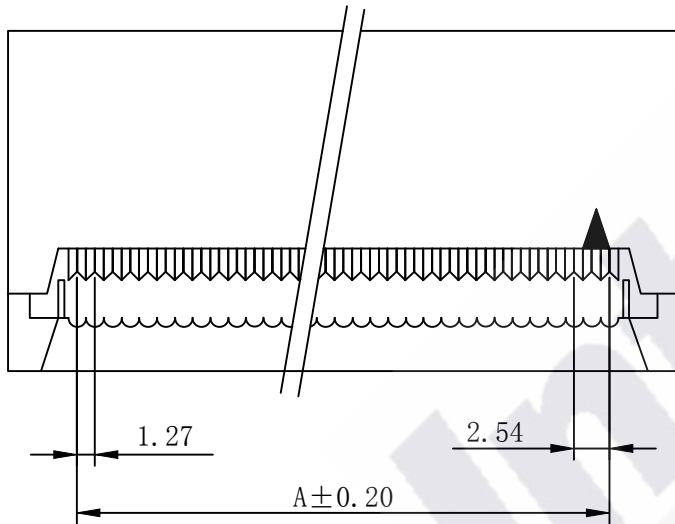
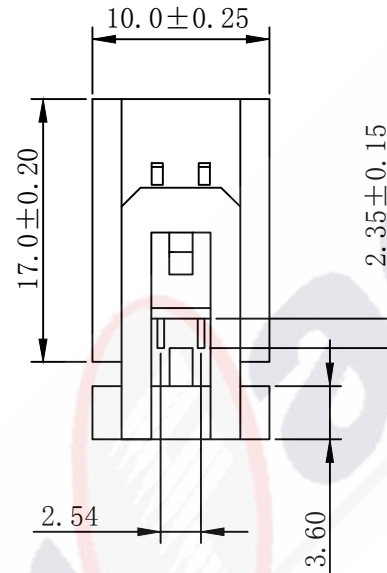
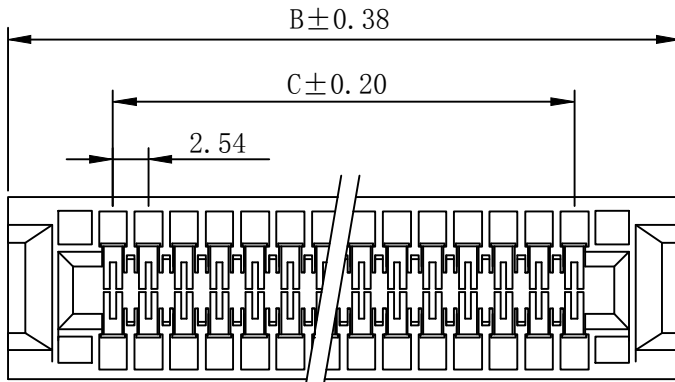


Description:
 Rated Current: 1A
 Insulation Resistance: 1000MΩ min
 Rated Voltage: 250V AC/DC
 Contact Impedance: 15m Ω max.
 Operating Temperature: -40° C~+105° C

Material:
 Contact Material: Brass
 Insulation Material: P.B.T+30%GF
 Burning Rating: UL 94V-0
 Plating: Plated with half gold 0.8u" (Nickel bottom 50u")



ICF14
 ICF14-IDC CARD EDGE
 CONNECTOR

NO: OF PINS
 10-64

No. of Contacts	A	B	C
10	11.43	22.20	10.16
14	16.51	27.30	15.24
16	19.05	29.80	17.78
20	24.13	34.90	22.86
26	31.75	42.50	30.48
34	41.91	52.70	40.64
40	49.53	60.20	48.26
44	54.61	65.40	53.34
50	62.23	73.00	60.96
56	69.85	80.40	68.58
60	74.93	85.60	73.66
62	77.47	89.00	76.20
64	80.01	90.68	78.74



INTERFACE CONNECTRONICS PVT LTD

Address: #85, Unit#3, 1st Floor, V. V. Yoga Sauraba, S. C. Road,
 Yeshwanthpur, Bangalore-560022.

Product Specification	IDC XX PIN CARD EDGE CONNECTOR BLACK STRAIN RELIEF						
Part No	ICF14-XX	version	A0	proportion			
Customercode	TBA	Customer Part No:	TBA	unit	mm		
Tolerance: . X=±0.25. XX=±0.10 angle =±1.5°				File No	TBA		
Drawn by	NBC	Checked by	VN	Approve by	YRS	date	29-07-2024