

**Specification:**

Housing Material: Polycarbonate. UL Flammability Rating:  
UL 94V-2, RoHS Compliant.

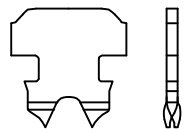
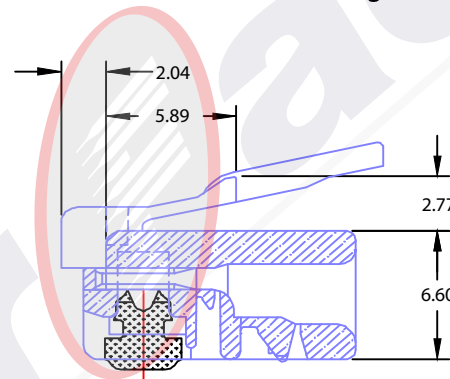
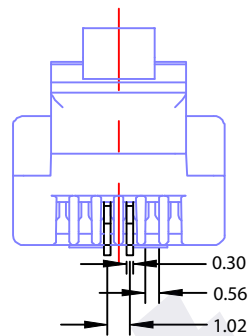
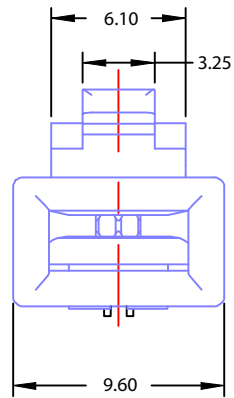
Contacts Type: Two prong angled pin fits solid/stranded wires.

Gold Plating:  $Fu''$  (flash)

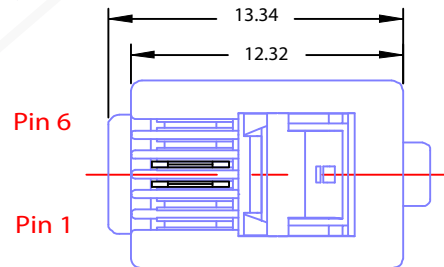
Shielded Material: Non-Shielded

Operating Temperature:  $-10^{\circ}\text{C}$  to  $+60^{\circ}\text{C}$

Housing Colour: Transparent



□ Two prongs pin



<b>INTERFACE CONNECTRONICS PVT LTD</b>						
Address: #85, Unit#3, 1st Floor, V.V. Yoga Saurabha, S. C. Road, Yeshwanthpur, Bangalore- 560 022.						
Product Description	RJ11 6P2C Plug, UL E500793					
Part no.	ICMP-62-00	Version	A0	Proportion		
Customer Code	TBA	Customer Part No.	TBA	Unit	mm	
Tolerance	X. $\pm 0.50$ , X. $\pm 0.38$ , .XX $\pm 0.25$ , .XXX $\pm 0.13$			File No.	TBA	
Drawn By	NBC	Checked by	VN	Approved by	YRS	Date
						30/07/2024