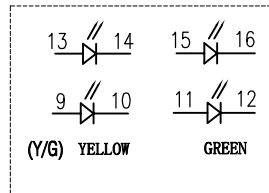
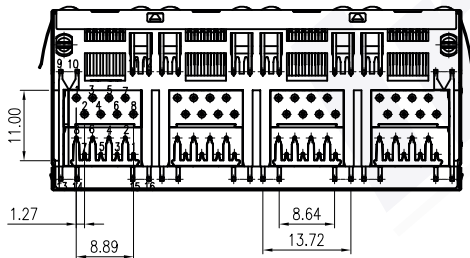
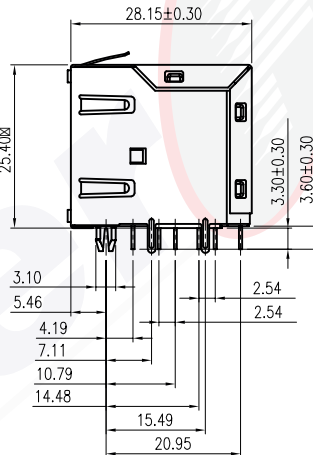
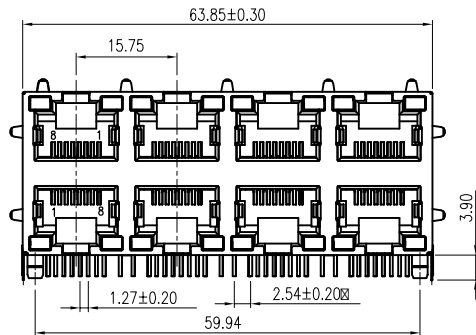


RECOMMENDED P.C.B LAYOUT TOP VIEW
(COMPONENT SIDE TOLERANCE ±0.05)



LED PIN DEFINE

Specification:

Electrical

Voltage Rating: 125V AC RMS

Current Rating: 1.5 Amps

Contact Resistance: 20MΩ Max.

Insulation Resistance: 1000MΩ Min. @500 VDC

Dielectric Strength: 1000V AC

@0.5mA 50 Hz/60 Hz 1 Minute

Mechanical

Housing Material: Nylon46 , UL94V-0, Black Colour

Contact Material: Phosper Bronze Ø0.46mm

Shielding Material: CuZn (C2860)

Plating: Gold Plating over Nickel, Gold Flash

Operating Life: 750 Cycle Min.

Mating/ Unmating Force: 30N Max.

Retention Strength: 50N for 60S±5S

Environmental

Storage: -40 °C to +70 °C Relative Humidity<80%

Operation: -40 °C to +70°C

Wave Soldering Temperature: 245 ±5°C

Interace INTERFACE CONNECTRONICS PVT LTD <small>Connectors to Connectivity™</small>							
Address:#85, Unit#3, 1st Floor, V.V. Yoga Saurabha, S. C. Road, Yeshwanthpur, Bangalore- 560 022.							
Product Description	2x4 RJ45 8P8C Shielded with Dual LED and Fins Modular Jack Right Angle						
Part no.	ICMS-851	Version	A0	Proportion			
Customer Code	TBA	Customer Part No.	TBA	Unit	mm		
Tolerance	X. ±0.50, X. ± 0.38, XX ± 0.25, .XXX ± 0.13			File No.	TBA		
Drawn By	NBC	Checked by	VN	Approved by	YRS	Date	31/07/2024