

Specification:

Electrical
 Voltage Rating: 125V AC RMS
 Current Rating: 1.5 Amps
 Contact Resistance: 20MΩ Max.
 Insulation Resistance: 500MΩ Min. @500V DC
 Dielectric Strength: 1000V AC
 @0.5mA 50 Hz/60 Hz 1 Minute

Mechanical

Housing Material: Nylon46 , UL94V-0, Black Colour
 Contact Material: Phosper Bronze Ø0.46mm
 Shielding Material: CuZn (C2860)
 Plating: Gold Plating over Nickel, Gold Flash
 Operating Life: 750 Cycle Min.
 Mating/ Unmating Force: 30N Max.
 Retention Strength: 50N for 60S±5S

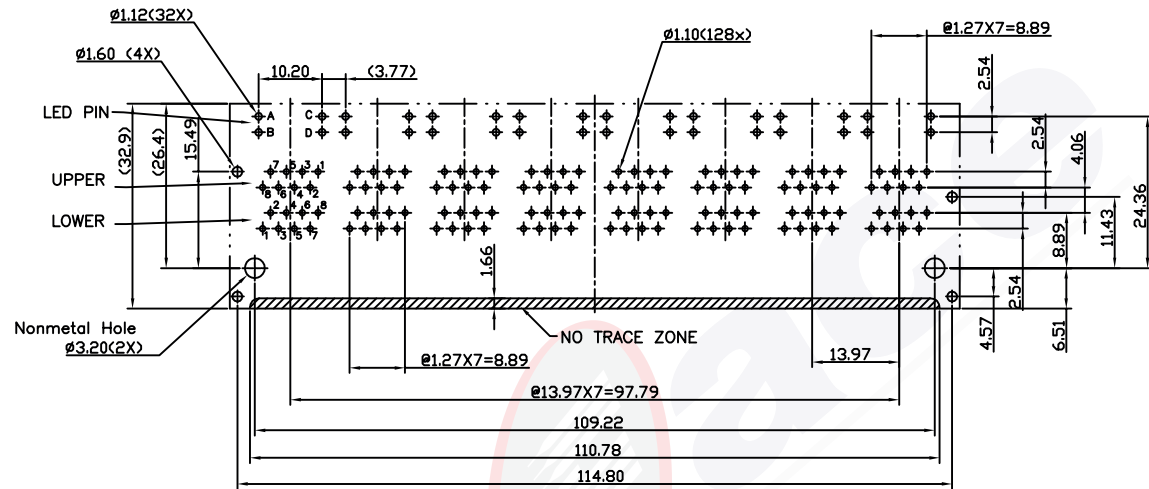
Environmental

Storage: -40 °C to +70 °C
 Operation: -40 °C to +70 °C
 Wave Soldering Temperature: 245 ±5°C

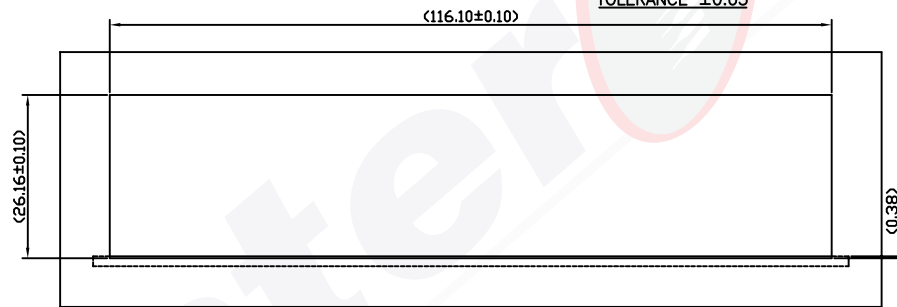
LED POLARITY AND COLOR

LED1 COLOR	LED2 COLOR
B(+)	D(+)
A(-)	C(-)
B(-)	D(-)
A(+)	C(+)

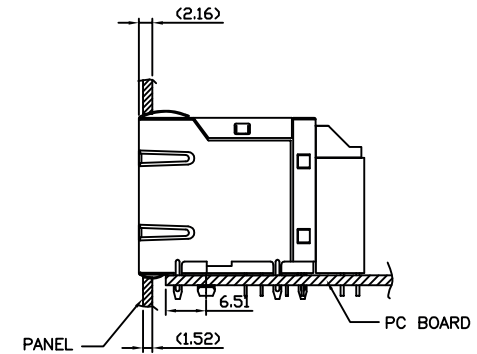
Interace INTERFACE CONNECTRONICS PVT LTD <small>Connectors to Connectivity™</small>							
Address:#85, Unit#3, 1st Floor, V.V. Yoga Saurabha, S. C. Road, Yeshwanthpur, Bangalore- 560 022.							
Product Description	2x8 RJ45 8P8C Shielded with Top LED and Fins Modular Jack Right Angle						
Part no.	ICMS-853	Version	A0	Proportion			
Customer Code	TBA	Customer Part No.	TBA	Unit	mm		
Tolerance	X. ±0.50, X. ± 0.38, XX ± 0.25, .XXX ± 0.13			File No.	TBA		
Drawn By	NBC	Checked by	VN	Approved by	YRS	Date	31/07/2024



PC BOARD LAYOUT T=1.60mm
COMPONENT SIDE SHOWN
TOLERANCE ± 0.05



RECOMMENDED PANEL CUT-OUT
SUGGESTED PANEL OPENING



Interace INTERFACE CONNECTRONICS PVT LTD <small>Connectors to Connectivity™</small>							
Address:#85, Unit#3, 1st Floor, V.V. Yoga Saurabha, S. C. Road, Yeshwanthpur, Bangalore- 560 022.							
Product Description	2x8 RJ45 8P8C Shielded with Top LED and Fins Modular Jack Right Angle						
Part no.	ICMS-853	Version	A0	Proportion			
Customer Code	TBA	Customer Part No.	TBA	Unit	mm		
Tolerance	X. ± 0.50 , X. ± 0.38 , XX ± 0.25 , XXX ± 0.13			File No.	TBA		
Drawn By	SM	Checked by	RKS	Approved by	YRS	Date	12/3/2019