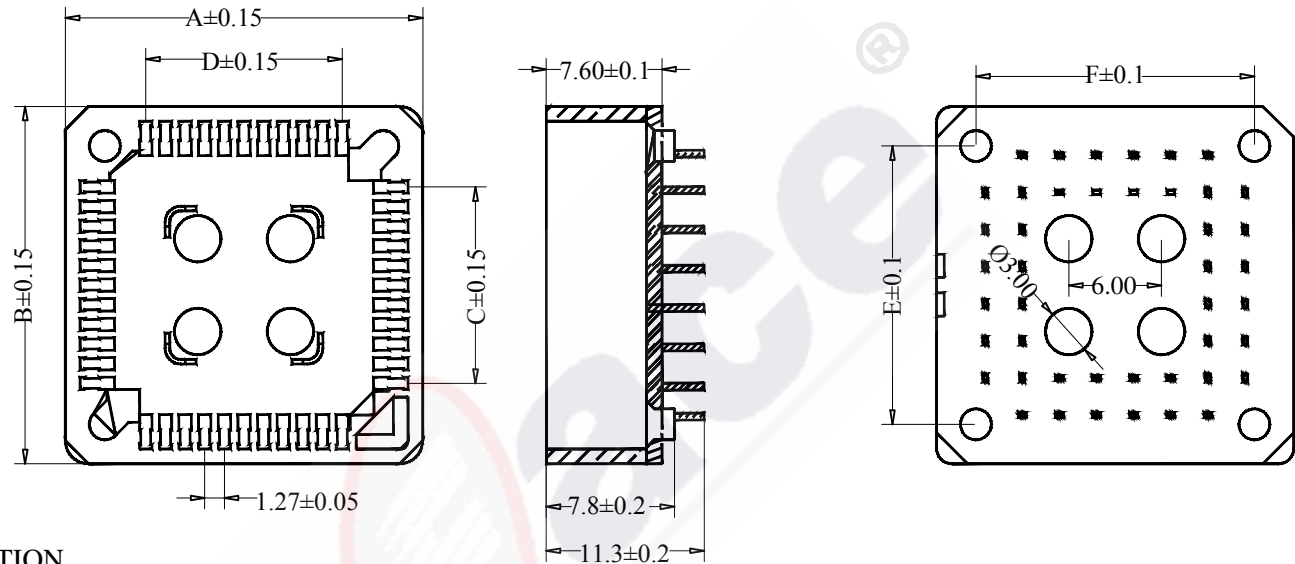


SPECIFICATIONS

Rated Current:3.0AMP
 Contact Resistance:20mΩ Max
 Withstand Voltage:1000V AC/DC
 Insulation Resistance:1000MΩ Min
 Operating Temperature:-40°c to +105°c

Contact Material:Phosphor Bronze
 Contact Plating: Au or Sn Over Ni
 Insulator Material :Polyster(UL94V-0)
 Standard: PPS



PART NO: DESCRIPTION

SERIES ICP2 NO:OF CONTACTS XX
 ICP1-PLCC SOCKETS PTH 20 TO 84

| Pin No. | A | B | C | D | E | F |
|---------|-------|-------|-------|-------|-------|-------|
| ICPI-20 | 15.6 | 15.6 | 5.08 | 5.08 | 10.0 | 10.0 |
| ICPI-28 | 18.09 | 18.09 | 7.62 | 7.62 | 12.90 | 12.90 |
| ICPI-32 | 18.04 | 20.60 | 7.62 | 10.16 | 15.40 | 12.90 |
| ICPI-44 | 23.10 | 23.10 | 12.70 | 12.70 | 18.00 | 18.00 |
| ICPI-52 | 25.70 | 25.70 | 15.24 | 15.24 | 20.50 | 20.50 |
| ICPI-68 | 30.80 | 30.80 | 20.32 | 20.32 | 25.75 | 25.75 |
| ICPI-84 | 35.95 | 35.95 | 25.40 | 25.40 | 30.90 | 30.90 |

| | | | | | | | |
|--|-------------------------|--|-----|----------|---------|------|------------|
| | | INTERFACE CONNECTRONICS PVT LTD | | | | | |
| Address: #85,Unit#3,1st Floor,V.V.Yoga Sauraba,S.C.Road, Yeshwanthpur , Bangalore-560022. | | | | | | | |
| Product specification | 2.54mm PLCC 180° Socket | | | | | | |
| Part No | ICPI-XX | Version | TBA | | | | |
| Customercode | TBA | Customer Part No: | TBA | unit | mm | | |
| Tolerance: X.X=±0.30 X.XX=±0.20 X.XXX=±0.10 angle =±3° | | | | | File No | TBA | |
| Drawn by | NBC | Checked by | VN | Approved | YRS | Date | 31/07/2024 |