

PIN CONFIGURATION		
SIDE A	COLOUR	SIDE B
PIN#1	RED	OPEN
SHELL	BLACK	OPEN

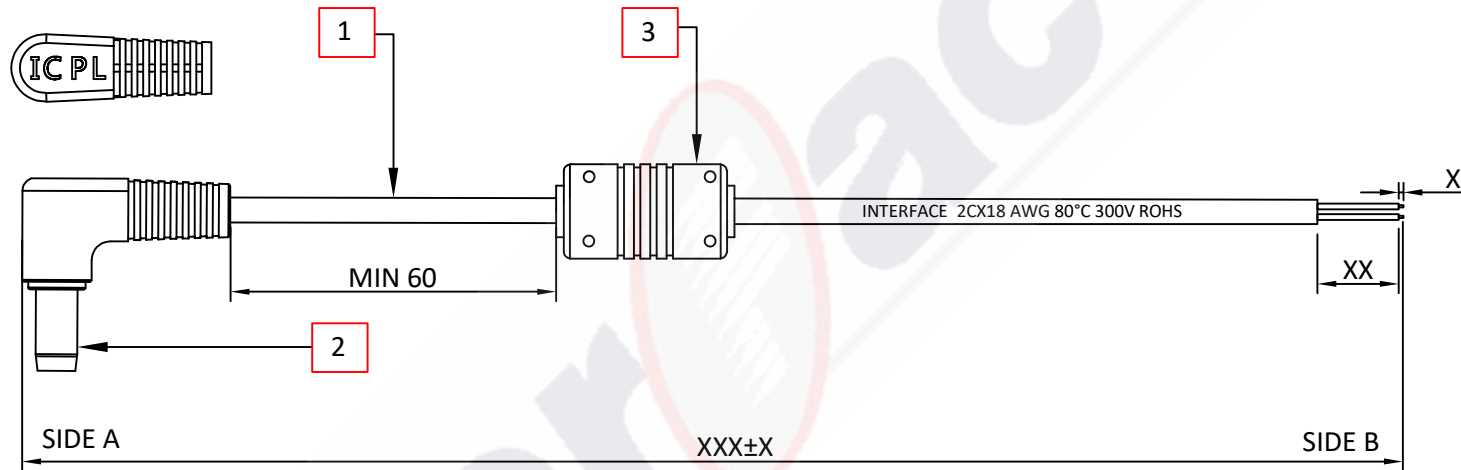
**FINISHED GOOD(CA) PART NO: DESCRIPTION**

RCA-9005      XX      01  
 TYPE OF CA      LENGTH OF CA  
 0.1 TO XX MTRS

RCA-9005: DC JACK RIGHT ANGLE 2.5MM  
 OUTPUT CABLE w/ FERRITE CORE TO OPEN

COLOUR OF CA  
 BLACK

FOR EXAMPLE;  
 PART NO: RCA-9005-1-01  
 DESC: DC JACK RIGHT 2.5MM OUTPUT CABLE  
 w/ FERRITE CORE TO OPEN  
 LENGTH: 1MTR



SL NO	DESCRIPTION	QTY
1	41/0.16 2CX18AWG DC JACK CABLE	1NOS
2	DC PIN 5.5-2.5-22.5	1NOS
3	FC 10.5X20X5.5	1NOS

		Description		DC JACK RIGHT ANGLE 2.5MM OUTPUT CABLE w/ FERRITE CORE TO OPEN, L-XX METER	
		Drg No		A4-01-9005-XXX-01	
		ICPL Part No		RCA-9005-XX-01	
Address: B-260,Peenya 2nd stage,Peenya industrial area, Bangalore-560058.		Customer Part No	TBA	Rev	00
Drafted by	MC	Angle of projections	Third angle	Scale	1:1
Checked	RV	Date	11-06-2024	Sheet	1 of 1
Approved	NC	All dimensions are in mm		Size	A4
Tolerance	Unless otherwise specified for length 0 - 500 - ±5      1000 - 1500 - ±15 500 - 1000 - ±10      1500 - 2000 - ±20	*The document is a property of <b>Interface Connectronics Pvt Ltd</b> and is considered company confidential. Reproduction, unauthorised use, or disclosure of this drawing in whole or in part is prohibited.*			

5

4

3

2

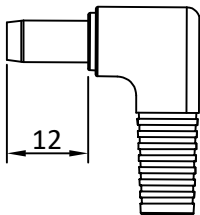
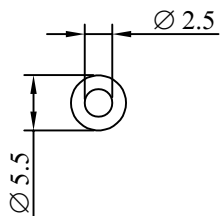
1

**SIDE A: DC PIN**

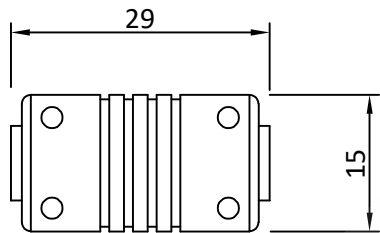
**CONNECTOR: 5.5\*2.5\*12**

**DESCRIPTION: FEMALE BARREL TYPE CONNECTOR**

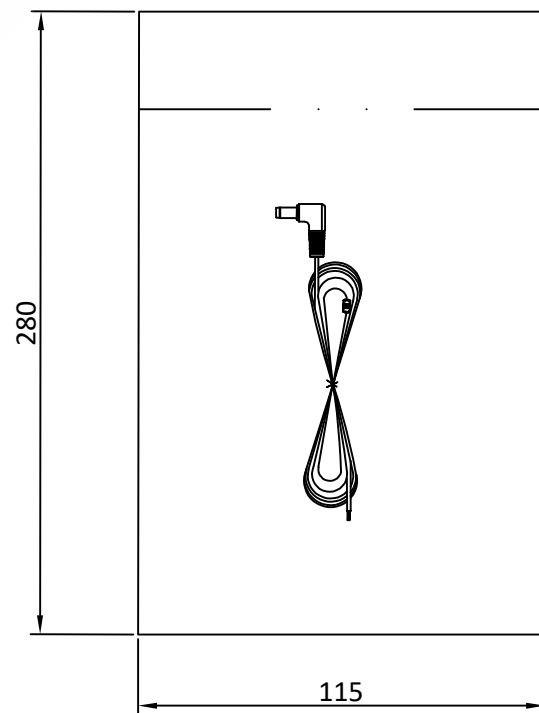
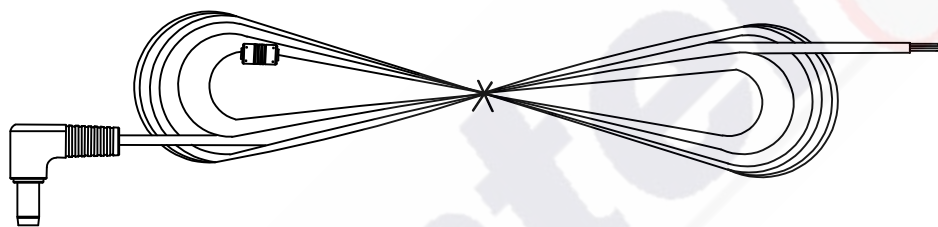
**RATING (AMP): 5A**



**FERRITE DIMENSIONS:**



**SINGLE PIECE PACKING DETAILS:**



5

4

3

2

1