



5

4

3

2

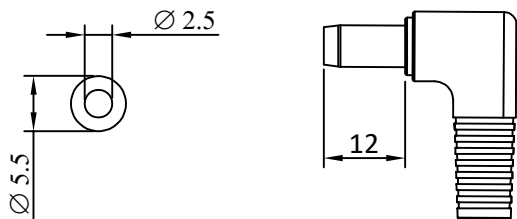
1

SIDE A: DC PIN

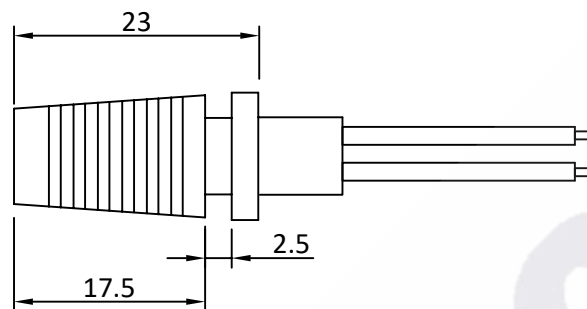
CONNECTOR: 5.5\*2.5\*12

DESCRIPTION: FEMALE BARREL TYPE CONNECTOR

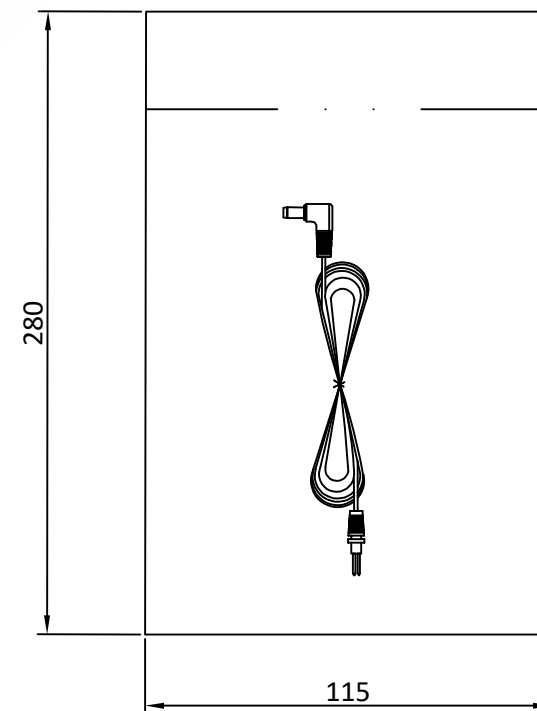
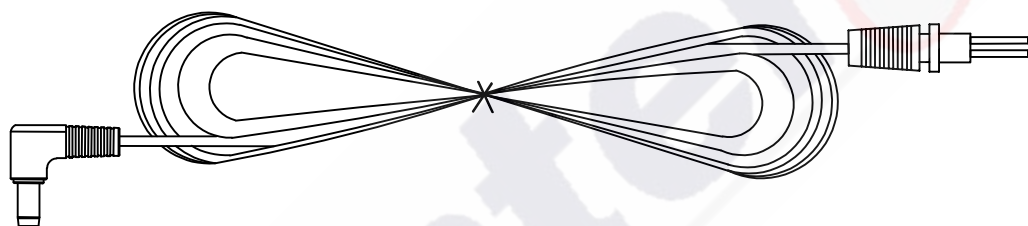
RATING (AMP): 5A



GROMMET DIMENSIONS:



SINGLE PIECE PACKING DETAILS:



5

4

3

2

1