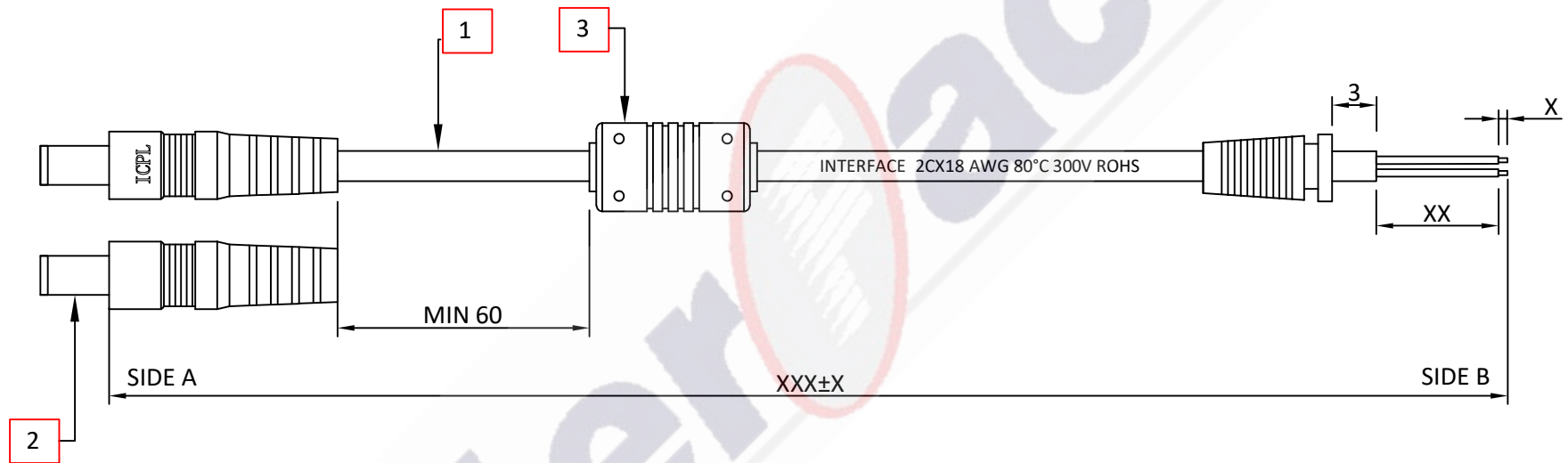


PIN CONFIGURATION		
SIDE A	COLOUR	SIDE B
PIN#1	RED	OPEN
SHELL	BLACK	OPEN

FINISHED GOOD(CA) PART NO: DESCRIPTION

RCA-9000 XX 01
 TYPE OF CA COLOUR OF CA
 RCA-9000: DC JACK STRAIGHT 2.5MM OUTPUT CABLE w/ FERRITE CORE w/ GROMMET TO OPEN BLACK
 LENGTH OF CA
 0.1 TO XX MTRS

FOR EXAMPLE;
 PART NO: RCA-9000-1-01
 DESC: DC JACK STRAIGHT 2.5MM OUTPUT CABLE w/ FERRITE CORE w/ GROMMET TO OPEN LENGTH: 1MTR



SL NO	DESCRIPTION	QTY
1	41/0.16 2CX18AWG DC JACK CABLE	1NOS
2	DC PIN 5.5-2.5-22.5	1NOS
3	FC 10.5X20X5.5	1NOS

		Description		DC JACK STRAIGHT 2.5MM OUTPUT CABLE w/ FERRITE CORE w/ GROMMET TO OPEN, L-XX METER	
		Drg No		A4-01-9000-XXX-01	
		ICPL Part No		RCA-9000-XX-01	
Address: B-260,Peenya 2nd stage,Peenya industrial area, Bangalore-560058.		Customer Part No	TBA	Rev	00
Drafted by	MC	Angle of projections	Third angle	Scale	1:1
Checked	RV	Date	11-06-2024	Sheet	1 of 1
Approved	NC	All dimensions are in mm		Size	A4
Tolerance	Unless otherwise specified for length 0 - 500 - ±5 1000 - 1500 - ±15 500 - 1000 - ±10 1500 - 2000 - ±20	**The document is a property of Interface Connectronics Pvt Ltd and is considered company confidential. Reproduction, unauthorised use, or disclosure of this drawing in whole or in part is prohibited.**			

5

4

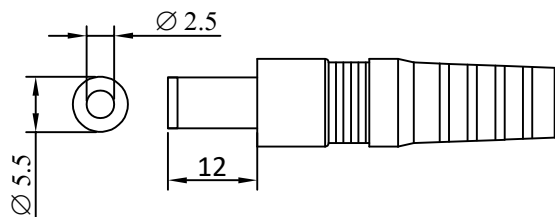
3

2

1

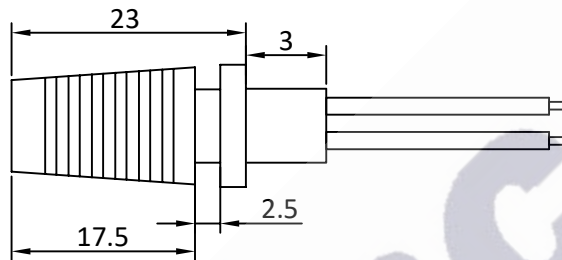
SIDE A: DC PIN

CONNECTOR: 5.5*2.5*12
DESCRIPTION: FEMALE BARREL TYPE CONNECTOR
RATING (AMP): 5A

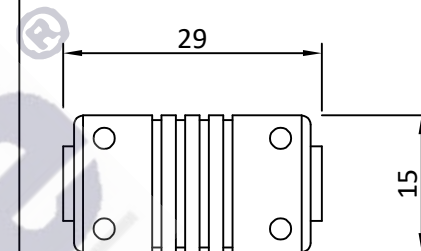


SIDE B : GROMMET

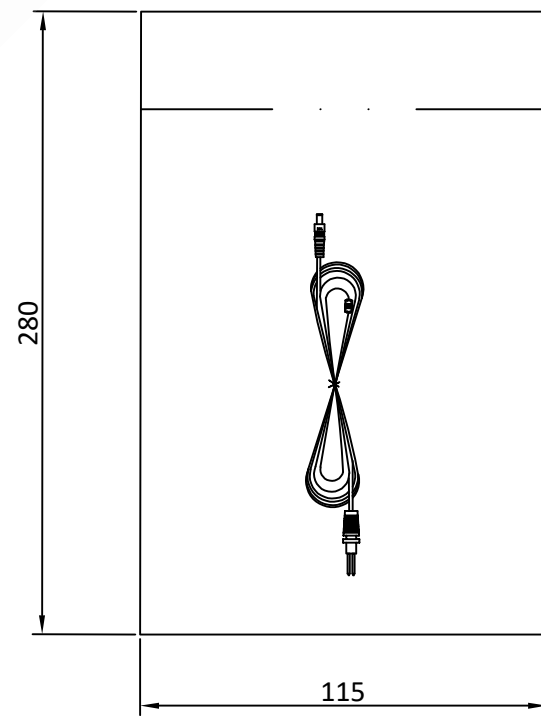
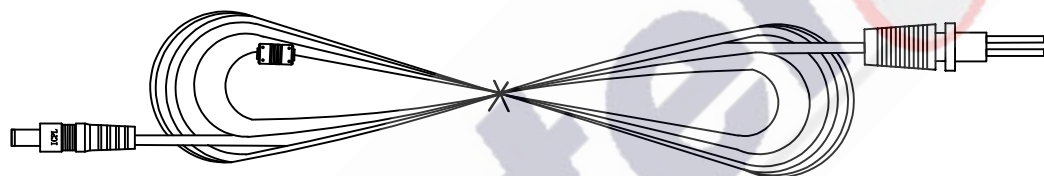
CONNECTOR: NA
DESCRIPTION: OPEN END CONNECTOR
RATING (AMP): NA



FERRITE:



SINGLE PIECE PACKING DETAILS:



5

4

3

2

1