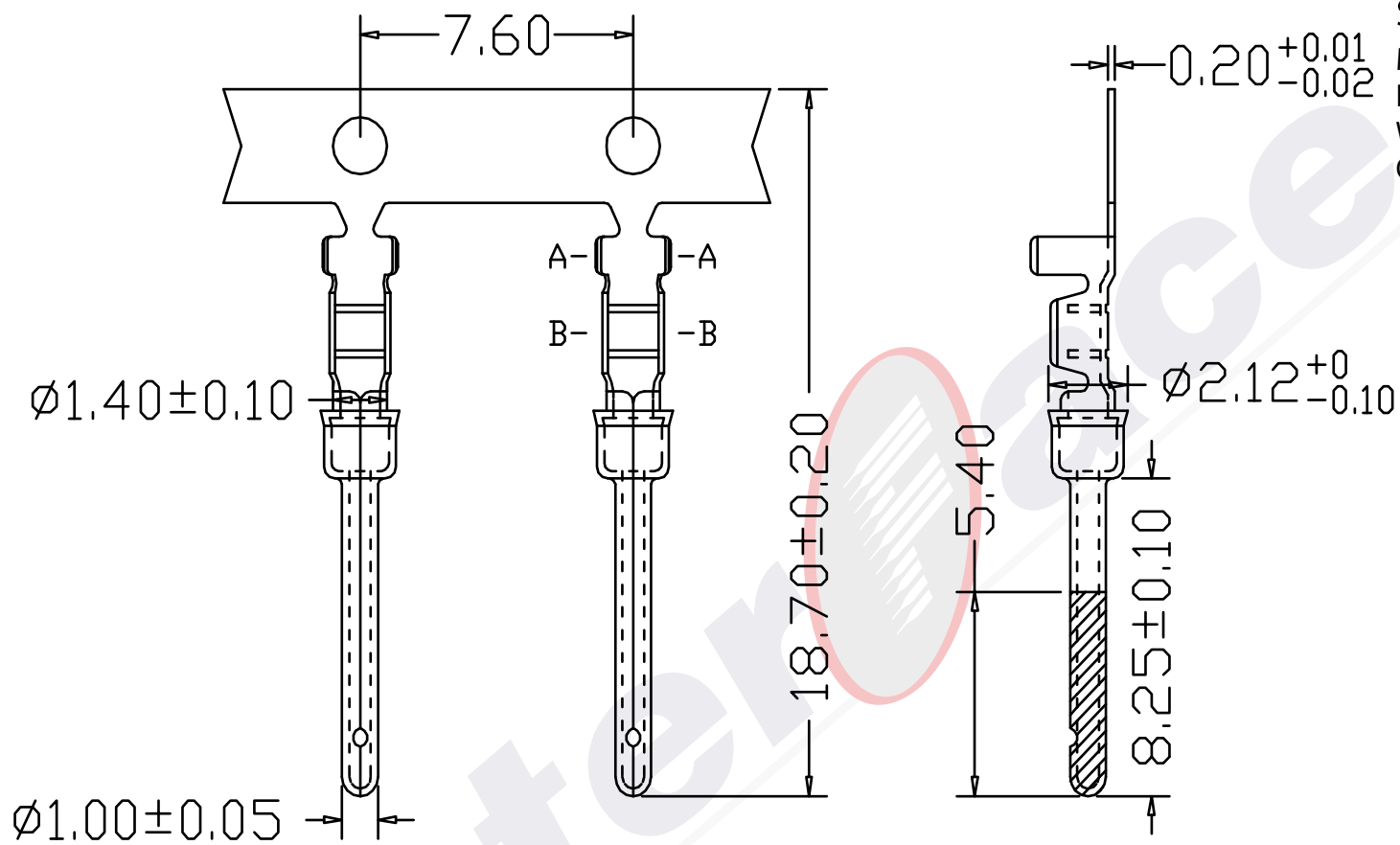
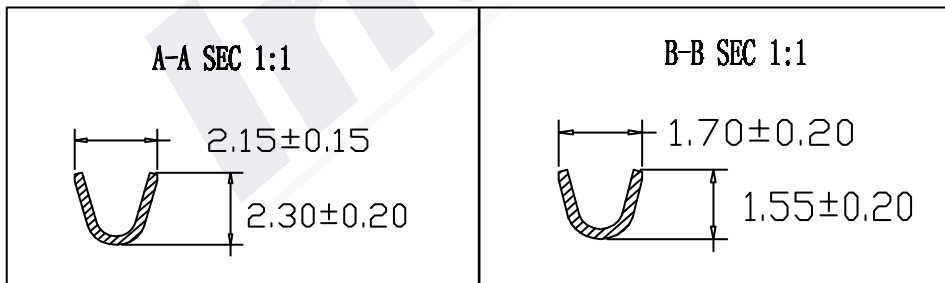


RoHS



Specification:

Material: Brass T = 0.20 ± 0.01 mm
 Plating: Gold Flash 1u", Tin Plating 80u" Min.
 Wire Gauge: 20-24AWG
 Current Rating: up-to 5A



INTERFACE CONNECTRONICS PVT LTD							
Address:#85, Unit#3, 1st Floor, V.V. Yoga Saurabha, S. C. Road, Yeshwanthpur, Bangalore- 560 022.							
Product Description	D-Sub Male Terminal						
Part no.	ICT3-TMC	Version	A0	Proportion			
Customer Code		Customer Part No.		Unit	mm		
Tolerance	X. ± 0.50 , X. ± 0.38 , XX ± 0.25 , XXX ± 0.13				File No.		
Drawn By	SM	Checked by	RKS	Approved by	YRS	Date	12/3/2019