

9 8 7 6 5 4 3 2 1

Specification

Performance:

- Supports Cat6A, T568A & T568B wiring.
- Insertion force: 30N max. (IEC 60603-7-5).
- Retention strength: 7.7kg between jack and plug.
- Operating temperature: -10°C to 60°C (ISO/IEC TR 11801-9901, ANSI/TIA 568-C.2-1).
- Life (mating cycles):
750 cycles min. (ISO/IEC 11801, IEC 60603-7-5).
IDC: Suitable for 23-26AWG stranded and solid wire, min. 20 installation cycles.
- Suitable for cable jacket OD: 6.0-7.5mm.
- Transmission rate: Upto 10 Gbps

Material:

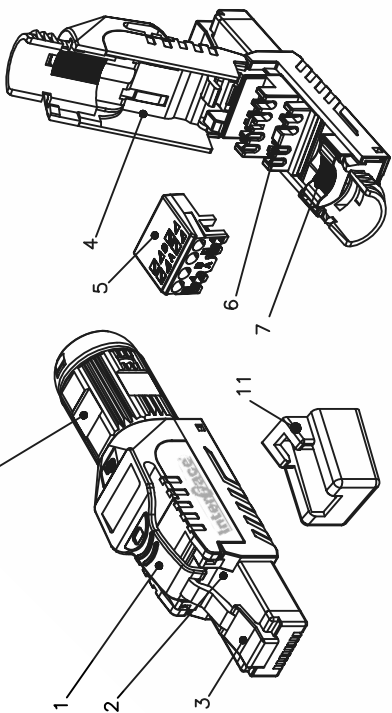
- Extractor: PC, UL 94V-2, Blue (RAL5005)
- Housing: Zinc die-casting with nickel plating.
- RJ45 Plug
Housing: PC, UL 94V-2, blue colour.
Contact material: Phosphor bronze w/ 10 micron-inch nickel plating.
Contact finish: Min. 50 micro-inch gold plated on surface contact area.
- Cover: Zinc die-casting with nickel plating.
- Wire management bar: PC, UL 94-V2, white colour.
- IDC
Housing: PC, UL 94-V2, white colour.
Terminal: Titanium copper with tin plating.
- Grounding contact: Zinc die-casting with nickel plating.
- Boot:
Housing: Zinc die-casting with nickel plating.
SR: PC, UL 94V-2, black colour.
- PCB, UL 94-V0.
- Copper foil tape.
- Dust cap: PE, black colour.



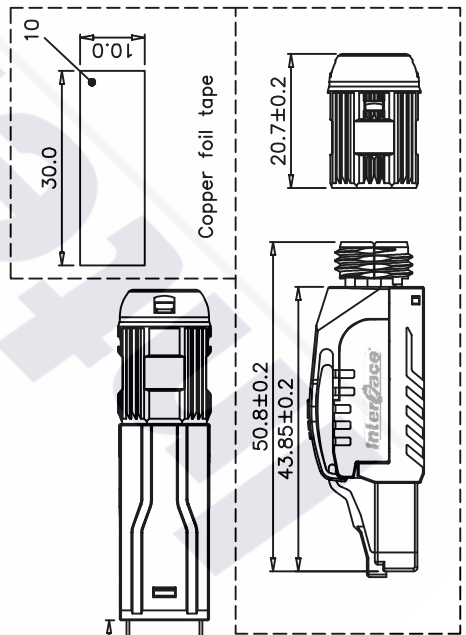
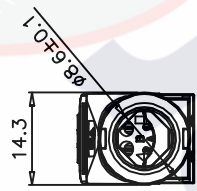
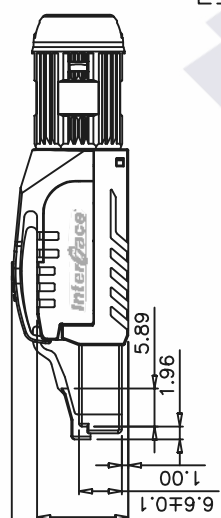
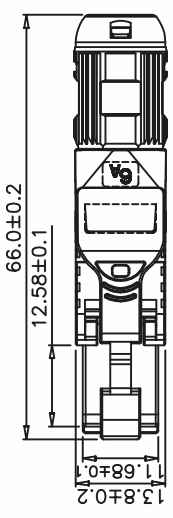
INTERFACE CONNECTRONICS PVT LTD

Address: #85, Unit#3, 1st Floor, V. V. Yoga Sauraba, S. C. Road, Yeshwanthpur, Bangalore-560022.

Product Specification		Cat6A Profinet/ Modbus/ Ethernet Shielded 180° C	
Part No	ICMP-88SC-CD	Version	A0
Customer Code	TBA	Customer Part No	TBA
Tolerance: X \pm 0.25, XX \pm 0.10 angle \pm 1.5°		Unit	mm
File No	TBA		
Drawn by	NBC	Checked by	VN
Approve by	YRS	Date	16-08-2025



SCALE 1/1



1 2 3 4 5 6 7 8 9