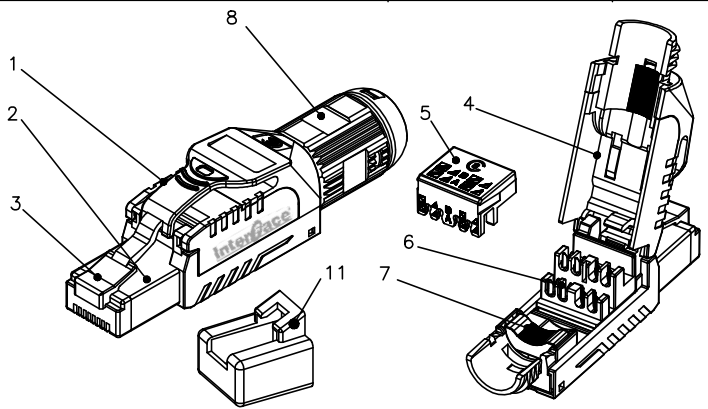
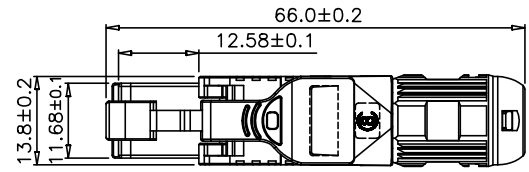


1 2 3 4 5 6 7 8 9

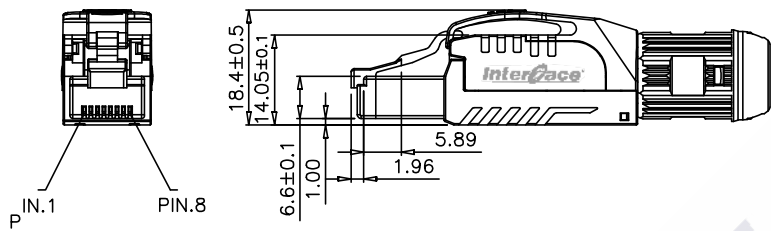
A



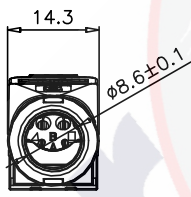
SCALE 1/1



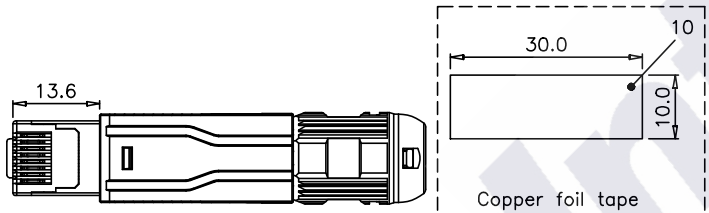
C



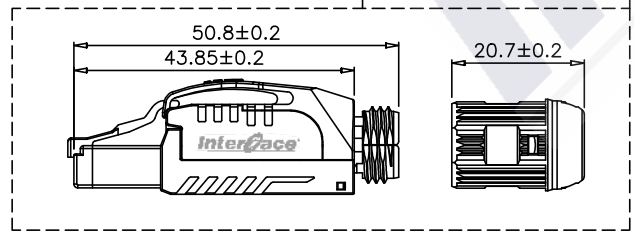
D



E



F



1 2 3 4 5 6 7 8 9

Specification

Performance:

- a. Supports Cat8. T568A & T568B wiring.
- b. Insertion force: 30N max. (IEC 60603-7-5).
- c. Retention strength: 7.7kg between jack and plug.
- d. Operating temperature: -10°C to 60°C (ISO/IEC TR 11801-9901, ANSI/TIA 568-C.2-1).
- e. Life (mating cycles):
750 cycles min. (ISO/IEC 11801, IEC 60603-7-5).
IDC: Suitable for 22-24AWG stranded and solid wire, min. 20 installation cycles.
- f. Suitable for cable jacket OD: 7.0-8.5mm.
- g. Transmission rate: Upto 40 Gbps

Material:

- 1. Extractor: PC, UL 94V-2, Blue (RAL5005)
- 2. Housing: Zinc die-casting with nickel plating.
- 3. RJ45 Plug
Housing: PC, UL 94V-2, black colour.
Contact material: Phosphor bronze w/ 10 micron-inch nickel plating.
Contact finish: Min. 50 micro-inch gold plated on surface contact area.
- 4. Cover: Zinc die-casting with nickel plating.
- 5. Wire management bar: PC, UL 94-V2, white colour.
- 6. IDC
Housing: PC, UL 94-V2, white colour.
Terminal: Titanium copper with tin plating.
- 7. Grounding contact: Zinc die-casting with nickel plating.
- 8. Boot:
Housing: Zinc die-casting with nickel plating.
SR: PC, UL 94V-2, blue colour.
- 9. PCB, UL 94-V0.
- 10. Copper foil tape.
- 11. Dust cap: PE, black colour.

		INTERFACE CONNECTRONICS PVT LTD			
Address: #85, Unit#3, 1st Floor, V. V. Yoga Sauraba, S. C. Road, Yeshwanthpur , Bangalore-560022.					
Product Specification	Cat8 Profinet/ Modbus/ Ethernet Shielded 180° C				
Part No	ICMP-88SC-D2	Version	AO	Proportion	
Customer Code	TBA	Customer Part No	TBA	Unit	mm
Tolerance: . X=±0.25. XX=±0.10 angle =±1.5°			File No	TBA	
Drawn by	NBC	Checked by	VN	Approve by	YRS
		Date	02-08-2025		

A

B

C

D

E

F